

# THE SEVEN TRUMPETS

## (REVELATION 8:7-9:21; 11:15-19)

### MEMORY VERSE:

*"Then the seventh angel sounded: And there were loud voices in heaven, saying, 'The kingdoms of this world have become the kingdoms of our Lord and of His Christ, and He shall reign forever and ever!' "* REVELATION 11:15

*So the seven angels who had the seven trumpets prepared themselves to sound...*

### TRUE OR FALSE:

1. "THE FIRST ANGEL SOUNDED: And hail and fire followed, mingled with blood, and they were thrown to the earth; and a third of the trees were burned up, and all green grass was burned up." REVELATION 8:7  
TRUE OR FALSE

### CIRCLE THE CORRECT WORD:

2. "THEN THE SECOND ANGEL SOUNDED: And something like a great (MOUNTAIN, BUSH) burning with fire was thrown into the sea..." REVELATION 8:8

### UNDERLINE THE CORRECT ANSWER:

3. "THEN THE THIRD ANGEL SOUNDED:..." REVELATION 8:10-11
- a. a great star fell from heaven
  - b. the star was burning like a torch
  - c. the star fell on a third of the rivers and on the springs of water
  - d. the name of the star is Wormwood
  - e. all of the above

### TRUE OR FALSE:

4. "THEN THE FOURTH ANGEL SOUNDED: And a third of the sun was struck, a third of the moon, and a third of the stars, so that a third of them were darkened." REVELATION 8:12  
TRUE OR FALSE

### CIRCLE THE CORRECT WORDS:

5. "THEN THE FIFTH ANGEL SOUNDED: And I saw a star fallen from heaven to the earth. And to him was given the (KEY, CHAIN) to the bottomless pit." REVELATION 9:1
6. "THEN THE SIXTH ANGEL SOUNDED: And I heard a voice from the four horns of the golden altar which is before God, saying to the sixth angel who had the trumpet, '(BIND, RELEASE) the four angels who are bound at the great river Euphrates.'" REVELATION 9:13-14

### TRUE OR FALSE:

7. "THEN THE SEVENTH ANGEL SOUNDED: And there were loud voices in heaven, saying, 'The kingdoms of this world have become the kingdoms of our Lord and of His Christ, and He shall reign forever and ever!' " REVELATION 11:15  
TRUE OR FALSE

# THE SEVEN TRUMPETS

## (REVELATION 8:6-9:21; 11:15-19)

### MEMORY VERSE:

*"Then the seventh angel sounded: And there were loud voices in heaven, saying, 'The kingdoms of this world have become the kingdoms of our Lord and of His Christ, and He shall reign forever and ever!'"* REVELATION 11:15

*So the seven angels who had the seven trumpets prepared themselves to sound...*

### TRUE OR FALSE:

1. "THE FIRST ANGEL SOUNDED: And hail and fire followed, mingled with blood, and they were thrown to the earth; and a third of the trees were burned up, and all green grass was burned up." **REVELATION 8:7**  
**TRUE OR FALSE**

### FILL IN THE BLANK:

2. "THEN THE SECOND ANGEL SOUNDED: And something like a great \_\_\_\_\_ burning with fire was thrown into the sea..." **REVELATION 8:8**

### UNDERLINE THE CORRECT ANSWER:

3. "THEN THE THIRD ANGEL SOUNDED:..." **REVELATION 8:10-11**
- a. a great star fell from heaven
  - b. the star was burning like a torch
  - c. the star fell on a third of the rivers and on the springs of water
  - d. the name of the star is Wormwood
  - e. all of the above

### TRUE OR FALSE:

4. "THEN THE FOURTH ANGEL SOUNDED: And a third of the sun was struck, a third of the moon, and a third of the stars, so that a third of them were darkened." **REVELATION 8:12**  
**TRUE OR FALSE**

### FILL IN THE BLANKS:

5. "THEN THE FIFTH ANGEL SOUNDED: And I saw a star fallen from heaven to the earth. And to him was given the \_\_\_\_\_ to the bottomless pit." **REVELATION 9:1**
6. "THEN THE SIXTH ANGEL SOUNDED: And I heard a voice from the four horns of the golden altar which is before God, saying to the sixth angel who had the trumpet, '\_\_\_\_\_ the four angels who are bound at the great river Euphrates.'" **REVELATION 9:13-14**

### TRUE OR FALSE:

7. "THEN THE SEVENTH ANGEL SOUNDED: And there were loud voices in heaven, saying, 'The kingdoms of this world have become the kingdoms of our Lord and of His Christ, and He shall reign forever and ever!'" **REVELATION 11:15**  
**TRUE OR FALSE**



Seven angels sound seven trumpets.  
*REVELATION 8:7-9:21; 11:15-19*

# THE SEVEN TRUMPETS

(REVELATION 8:7-9:21, 11:15-19)

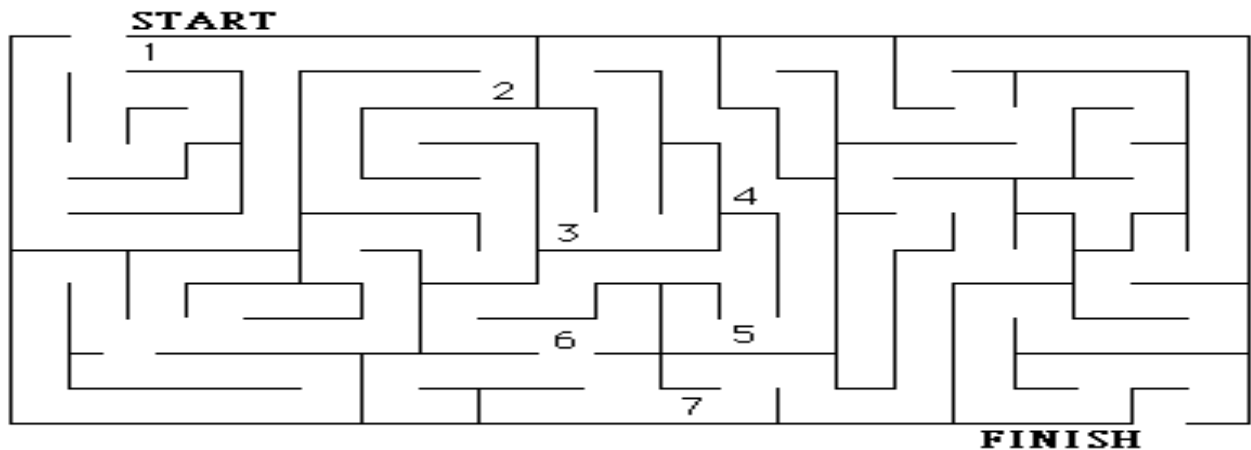
S R I V E R S R A T S M S E E  
 C E P Q I V F M B E O O O L  
 O C A I U B D U O O M W N S D  
 R U R E T T I B N K H M E M E  
 P F S T E P M U R T E O V O R  
 I I B L O O D A C A A U E D S  
 O R Z P W M G V G V V N S G G  
 N E L A R N E W E L E T G N L  
 W D E P I H S R O W N A O I H  
 G V R W A T E R T R V I D K L  
 I J S T S U C O L E M N B Y O  
 L S L E G N A B L H M W J T R  
 H O R S E M E N H L A P O N D  
 S W U U V W S P I H S I L O S  
 J N K T S I R H C Z R E L E D

ANGELS  
 ARK  
 BITTER  
 BLOOD  
 CHRIST  
 ELDERS  
 FIRE  
 HAIL

HEAVEN  
 HORSEMEN  
 KINGDOMS  
 LOCUSTS  
 LORD  
 MOON  
 MOUNTAIN  
 PIT

RIVERS  
 SCORPION  
 SEA  
 SEVEN  
 SHIPS  
 SMOKE  
 STAR

SUN  
 TEMPLE  
 TRUMPETS  
 WATER  
 WOE  
 WORMWOOD  
 WORSHIPED



# THE SEVEN TRUMPETS

## (REVELATION 8:7-9:21, 11:15-19)

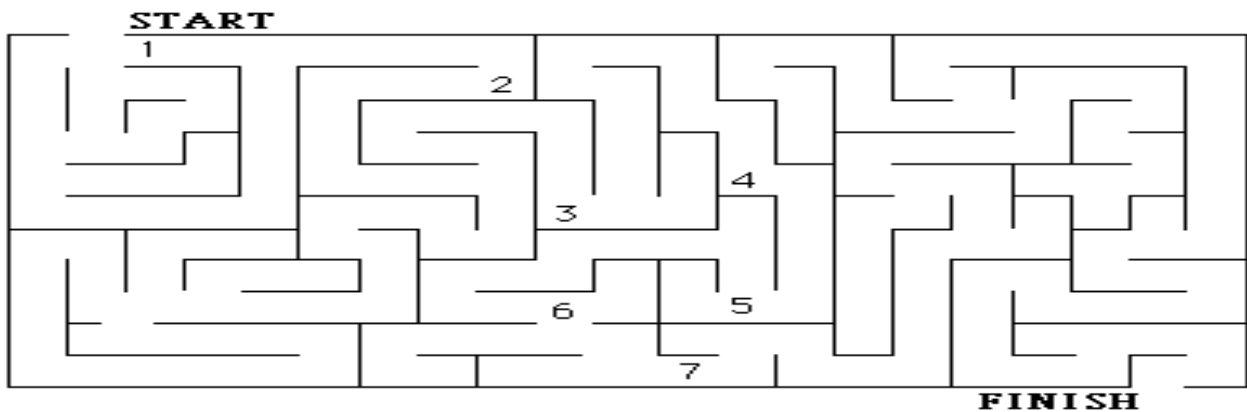
B I B Z Z U E L U L K P A C I E A Y M A I N F C U R I U K E  
 K A S G N I R P S W Q T W C K F E U V S K M W Y V W O S O E  
 E Q R W J M J J D J K A B V B P C D W F E C D R O L Q S M O  
 F D S K P D K C S U T V V Z P T N L Z N Y D Y D L Y H A Y Z  
 J J V B N L K S J E L R Q K P O A O F S B N S T R B U L S N  
 T Q O M U S P U R O W F D F U N I C I T T Y K L R G N Y G K  
 E R S H I P S N H E K E V K Z I Z U Z Q T E T V E P H J U K  
 J I J W O V Z V Q P I J S S V J S S T C I J P P V F P H I J  
 Z K J U N E M E S R O H M M F J N T M D O D E M U Q U W S H  
 Z L I F F R Y T O T J O C O R Y C S G Y W V F T U K Y Z C R  
 K S E N A C Y W E C S U Z A K T Z Y G R A S Y J V R N A T R  
 C T A I G N O H W S U G L T K H X G R Q E M R I P G T P E I  
 T F W B L D G P E B E F U M Y G R T H D O O W M R O W B K S  
 C A L G O M O E B C I K T Z R B P I U T P K N P I B M I E H  
 H Y Z O L L J M L H A T M J G F O I V B Q E L K R Q H C O J  
 R Y L Y M B F J S S V D T S I Y J T Y K T C M D F L B N E G  
 I B D E P I H S R O W B O E K Q P P T I F U A A V J Y Z N B  
 S O B P M B A H K U D K E M R D Q G Y O V A B Y Q V A F S K  
 T F P Y S O H Q R A T S E A U C B C R J M U T S M U O N M M  
 F V J B Z A U O S E Q K M B A M Q J T E I L O G H O M F J I  
 I B H D F C A N U C E A B P V P F N E F F T E M B E O P D J  
 R S G R P W H A T N S T N C B S G H U S R E N S I B A N H M  
 E V E C G J Z W H A N R O D E O A E S A S K K B S E B V R S  
 I M U G K U Y V P Q I W E V O E M D S R N O V T P P H G E B  
 O S C O R P I O N S R N E V U A M B E G Y O E L O A I G T N  
 T A W R B K N M E L Y N B T I Y A D F Q M P F A R F N T K V  
 A Z D G U O J F V K Y L U B V R L Y J F Z F G B A I B Z R M  
 N S W N K I T S A D D A L B Z E O K S H U D S H V M V A B H  
 R H Y E L P M E T D J P P G A U K K G W I H H A I L I B W Z  
 P M P G C T P W R O I P M E U H C J R U K D L P K W O E U I

ANGELS  
 ARK  
 BITTER  
 BLOOD  
 BOTTOMLESS PIT  
 CHRIST  
 ELDERS  
 FIRE

HAIL  
 HEAVEN  
 HORSEMEN  
 KINGDOMS  
 LOCUSTS  
 LORD  
 MOON  
 MOUNTAIN

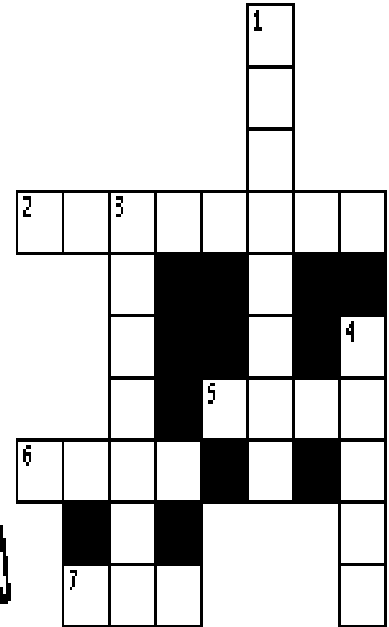
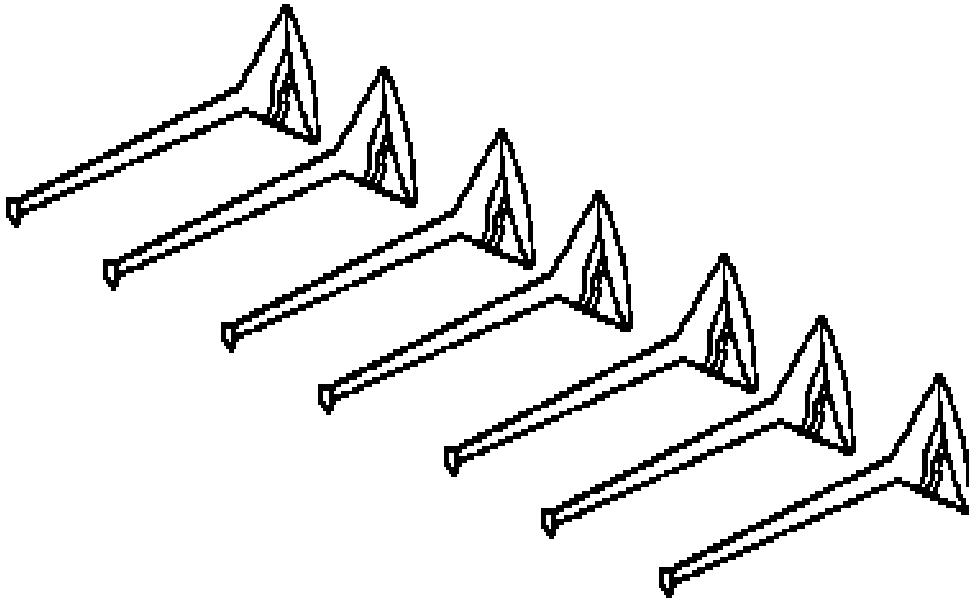
RIVERS  
 SCORPIONS  
 SEA  
 SEVEN  
 SHIPS  
 SMOKE  
 SPRINGS  
 STAR

SUN  
 TEMPLE  
 TRUMPETS  
 WATER  
 WOE  
 WORMWOOD  
 WORSHIPED



# THE SEVEN TRUMPETS

(REVELATION 8:6-9:21; 11:15-19)



- 5 ACROSS **"THE FIRST ANGEL SOUNDED:** And hail and \_\_\_\_\_ followed, mingled with blood, and they were thrown to the earth; and a third of the trees were burned up, and all green grass was burned up."  
**REVELATION 8:7**
- 1 DOWN **"THEN THE SECOND ANGEL SOUNDED:** And something like a great \_\_\_\_\_ burning with fire was thrown into the sea..." **REVELATION 8:8**
- 6 ACROSS **"THEN THE THIRD ANGEL SOUNDED:** And a great \_\_\_\_\_ fell from heaven, burning like a torch, and it fell on a third of the rivers and on the springs of water; and the name of the star is Wormwood..."  
**REVELATION 8:10-11**
- 2 ACROSS **"THEN THE FOURTH ANGEL SOUNDED:** And a third of the sun was struck, a third of the moon, and a third of the stars, so that a third of them were \_\_\_\_\_." **REVELATION 8:12**
- 7 ACROSS **"THEN THE FIFTH ANGEL SOUNDED:** And I saw a star fallen from heaven to the earth. And to him was given the \_\_\_\_\_ to the bottomless pit." **REVELATION 9:1**
- 3 DOWN **"THEN THE SIXTH ANGEL SOUNDED:** And I heard a voice from the four horns of the golden altar which is before God, saying to the sixth angel who had the trumpet, '\_\_\_\_\_ the four angels who are bound at the great river Euphrates.'" **REVELATION 9:13-14**
- 4 DOWN **"THEN THE SEVENTH ANGEL SOUNDED:** And there were loud voices in heaven, saying, 'The kingdoms of this world have become the kingdoms of our Lord and of His Christ, and He shall \_\_\_\_\_ forever and ever!' " **REVELATION 11:15**